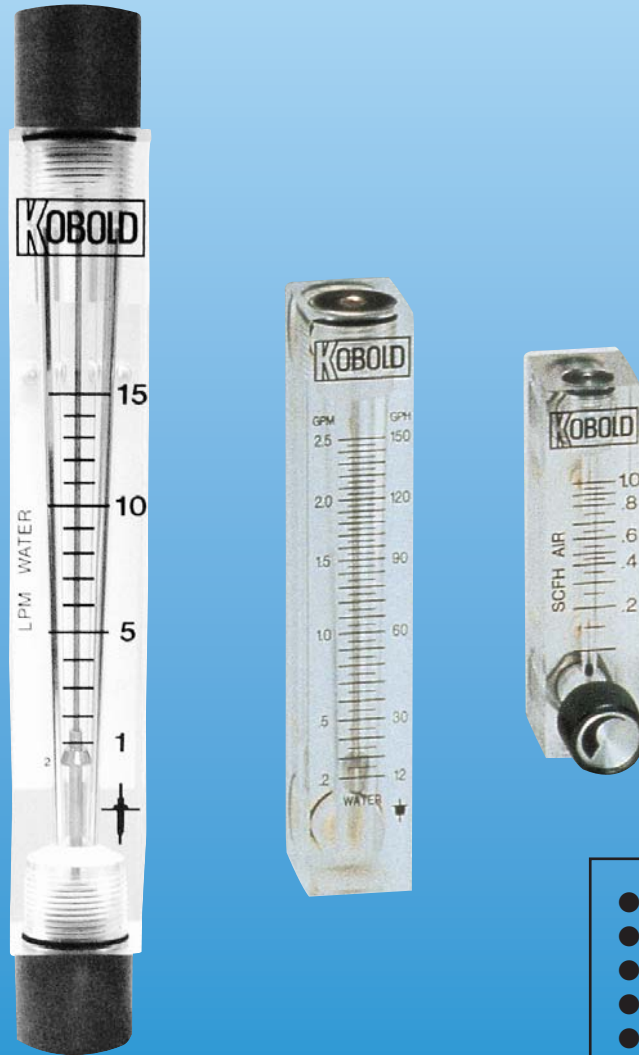


**KFR
ACRYLIC FLOWMETER**



Flow
Pressure
Level
Temperature
measurement
monitoring
control

S1



- Easy to Read Scales
- Water Range: 0.003 to 20 GPM
- Air Range: 0.002 to 100 SCFM
- Durable One-Piece Construction
- Low Cost
- Metric Scales Available



www.cstc.tw
台灣冠瑄: TEL: +886 7 7532980
Taiwan: E-Mail: TW@CSTC.TW

冠瑄科技有限公司

Creation Service Technology Co., Ltd.
上海可翔国际贸易有限公司
Shanghai Creation International Trading Co., Ltd.
上海可翔: TEL: +86 21 57558972
Shanghai: E-Mail: SH@CSTC.TW

Model:
KFR

Features

- Easy to Read Scales
- Water Range: 0.003 to 20 GPM
- Air range: 0.002 to 100 SCFM
- Durable One-Piece Construction
- Low Cost
- Metric Scales on Request

The KFR line of flowmeters offers the perfect balance between low-cost, accuracy and range availability. Bridging the micro-flow and large flow ranges, this meter can provide an effective solution to many industrial applications.

The KFR has a one-piece acrylic body with PVC or metal fittings for durability. To take the guesswork out of reading the flow, large lettering and extra hash marks make the scale clearly visible. Further enhancing readability, the low flow meters offer an inherently stable float design, while the larger meters feature a float stabilization mechanism. In the larger flow ranges, the stabilization mechanism allows KOBOLD to offer you a smaller installation footprint and a correspondingly lower price.

To further increase the value of the KFR product line, the low volume flowmeters (models KFR-1000 through KFR-4000) are available with integral needle valves.

Accuracy, value, low cost. Three not-so-mutually-exclusive attributes made possible by the KOBOLD KFR.



KOBOLD KFR Flowmeter Line

Specifications

Accuracy

- Model 1000/2000:** ±5% of full scale
- Model 3000/4000:** ±3% of full scale
- Model 5000/6000:** ±2% of full scale

- Fittings:** Female NPT
- Max Pressure:** 100 PSIG
- Max Temperature:** 150°F

Wetted Parts

- Body:** Clear Acrylic
- Fittings:** Brass, PVC or SS
- Seals**
 - Brass Fittings:** Buna-N
 - PVC Fittings:** Buna-N
 - SS Fittings:** Viton
- Float:** Glass or SS
(See ordering tables)

Applications

- Air sampling equipment
- Chromatography systems
- Desalinization equipment
- Gas analyzers
- Medical systems
- Photoprocessing equipment
- Water treatment and distribution systems



www.cstc.tw
 台灣冠瑄: TEL: +886 7 7532980
 Taiwan: E-Mail: TW@CSTC.TW

冠瑄科技有限公司

Creation Service Technology Co., Ltd.
 上海可翔国际贸易有限公司
 Shanghai Creation International Trading Co., Ltd.
 上海可翔: TEL: +86 21 57558972
 Shanghai: E-Mail: SH@CSTC.TW

Model KFR-1000/2000

Water				Air			
Range GPH	Float Material	Fitting Material		Range SCFH	Float Material	Fitting Material	
		Brass	SS			Brass	SS
0.2 - 2	Glass	KFR-1118	KFR-1218	0.1 - 1	Glass	KFR-2100	KFR-2200
0.4 - 5	SS	KFR-1119	KFR-1219	0.2 - 2	SS	KFR-2101	KFR-2201
1 - 10	Glass	KFR-1120	KFR-1220	0.4 - 5	Glass	KFR-2102	KFR-2202
2 - 20	SS	KFR-1121	KFR-1221	0.5 - 10	Glass	KFR-2103	KFR-2203
4 - 40	SS	KFR-1122	KFR-1222	2 - 20	SS	KFR-2104	KFR-2204
Options		Order Suffix		3 - 30	SS	KFR-2105	KFR-2205
Brass Inlet Needle Valve		- V1		4 - 50	Glass	KFR-2106	KFR-2206
Stainless Steel Inlet Needle Valve		- V2		10 - 100	SS	KFR-2107	KFR-2207
Hose Barb Adapters 1/4"		- S		20 - 200	SS	KFR-2108	KFR-2208

S1

Model KFR-3000/4000

Water				Air			
Range GPH	Float Material	Fitting Material		Range SCFH	Float Material	Fitting Material	
		Brass	SS			Brass	SS
1 - 10	Glass	KFR-3145	KFR-3245	0.4 - 5	Glass	KFR-4130	KFR-4230
2 - 25	SS	KFR-3146	KFR-3246	1 - 10	SS	KFR-4131	KFR-4231
4 - 50	SS	KFR-3147	KFR-3247	2 - 20	Glass	KFR-4132	KFR-4232
6 - 60	SS	KFR-3148	KFR-3248	4 - 40	SS	KFR-4133	KFR-4233
				10 - 100	SS	KFR-4134	KFR-4234
Options		Order Suffix		14 - 150	SS	KFR-4135	KFR-4235
Brass Inlet Needle Valve		- V1		20 - 200	SS	KFR-4136	KFR-4236
Stainless Steel Inlet Needle Valve		- V2		SCFM			
Hose Barb Adapters 1/4"		- S		0.3 - 3	SS	KFR-4137	KFR-4237

Model KFR-5000/6000

Water			Air		
Range GPM	Float Material	Fitting Material	Range SCFM	Float Material	Fitting Material
		PVC			PVC
0.4 - 5	SS	KFR-5356	3 - 25	SS	KFR-6350
1 - 10	SS	KFR-5357	4 - 50	SS	KFR-6351
2 - 20	SS	KFR-5358	10 - 100	SS	KFR-6352
Options		Order Suffix			
Panel Mount Version with Rear Inlet/Outlet Fittings		- PM			
Panel Mount Version with Rear Inlet/Outlet Fittings and Inlet Needle Valve		- PMV1			

Subject to change without prior notice.

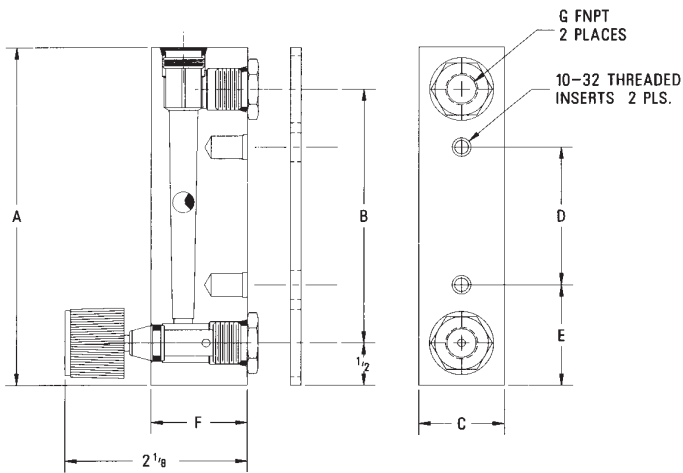


www.cstc.tw
 Taiwan: E-Mail: TW@CSTC.TW

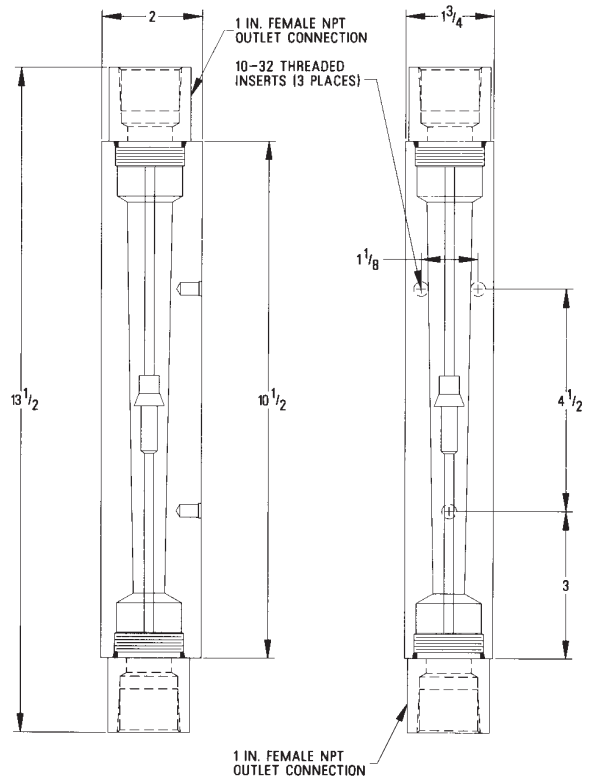
冠瑄科技有限公司
 Creation Service Technology Co., Ltd.

上海可翔国际贸易有限公司
 Shanghai Creation International Trading Co., Ltd.
 Taiwan: TEL: +886 7 7532980
 Shanghai: TEL: +86 21 57558972
 Shanghai: E-Mail: SH@CSTC.TW

KFR-1000 through KFR-4000



Model KFR-5000/6000 - Standard Configuration



Dimensions in Inches							
Model	A	B	C	D	E	F	G
1000/ 2000	4	3	1	1-5/8	1-3/16	1-1/8	1/8
3000/ 4000	6-1/2	5-1/2	1-3/8	3-1/2	1-1/2	1-1/8	1/8

Model KFR-5000/6000 with Panel Mount Option

