



- Signal transmission to 5 kHz
- Single channel
- Control circuit EEx ia IIC
- Reversible mode of operation
- Narrow design
- Standard rail mounting
- Protection IP 20



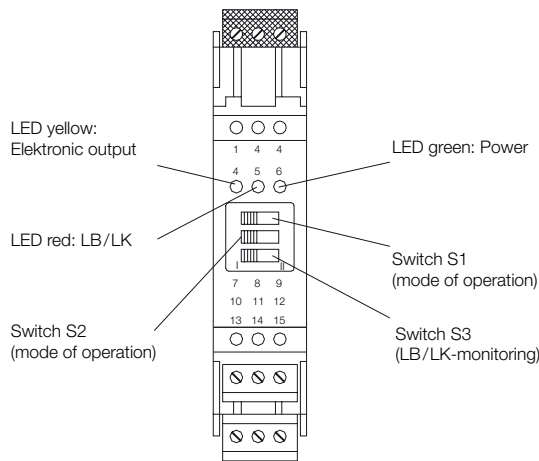


Description

The isolation switching amplifier transmits pulse signals of up to 5 kHz from hazardous areas. Sensors according to NAMUR or mechanical contacts may be used as signal transmitters. The control circuit is monitored for line interruption (LB) and line short-circuit (LK). The input is safely isolated from the output and mains according to DIN EN 50 020.

The devices are fitted with detachable terminals that greatly simplify installation.

Front view



Order Details (Example: KFD2-ST2-Ex1.LB)

Description	Order no.
Isolation switching amplifier, 1-channel, pulse signals to 5 kHz, supply 24 V _{DC}	KFD2-ST2-Ex1.LB

Technical Details

Auxiliary power
 Nominal voltage: 20...30 V_{DC}
 Maximum voltage satisfying safety requirements: 40 V_{DC}
 Ripple factor: ≤ 10%
 Rated current: ≤ 50 mA

Input

Intrinsically safe according to Namur and EN 60947-5-6
 Floating voltage: approximately 8 V_{DC}
 Short-circuit current: approximately 8 mA
 Switch point: 1.2 - 2.1 mA
 Switching hysteresis: approximately 0.2 mA
 Power monitoring: rupture I ≤ 0.1 mA, short-circuit I > 6 mA
 Ex-protection: $\text{Ex} \text{II} (1) \text{GD} [\text{EEx ia}] \text{IIC}$

Maximum values according to certificate of conformity

Voltage U₀: 10.5 V
 Current I₀: 13 mA
 Power P₀: 34 mW

Allowed connected values

Protection [EEx ia and EEx ib]			
Explosion category	IIA	IIB	IIC
Exterior capacitance	75 µF	16.8 µF	2.4 µF
Exterior inductivity	1000 mH	740 mH	200 mH

Output

(not intrinsically safe)

Output I: signal
 electronic output, active
 Output II: line interruption
 electronic output, active

Maximum voltage satisfying safety requirements: 40 V
 Rated current: 100 mA, short-circuit-proof
 Disabled output off-state current: I ≤ 10 µA
 Switched output voltage drop: 3.5 V for 100 mA
 Acoustic frequency: ≤ 5 kHz
 Dimensions: 118 x 20 x 115 mm (HxWxD)
 Protection: IP 20
 Case material: plastic
 Ambient temperature: -20 to +60°C
 Weight: approximately 150 g



www.cstc.tw
 台湾冠瑄: TEL: +886 7 7532980
 Taiwan: E-Mail: TW@CSTC.TW

冠瑄科技有限公司

Creation Service Technology Co., Ltd.
上海可翔国际贸易有限公司
 Shanghai Creation International Trading Co., Ltd.
 上海可翔: TEL: +86 21 57558972
 Shanghai: E-Mail: SH@CSTC.TW