

**INDUSTRIAL
BIMETAL THERMOMETER
MODEL : T111**

WISE®

SERVICE INTENDED

Bimetal Thermometer is used for measuring temperature of gas or liquid fluid. This is suitable for measurement, regulation and direct monitoring of the fluid and meets the most stringent criteria on resistance to corrosive atmosphere and exceptional climatic circumstance.

NOMINAL DIAMETER

75, 100, 125 and 150mm

ACCURACY

±1.0% of Full Scale (0 up to 200°C)
±2.0% of Full Scale

TEMPERATURE ELEMENT

Coiled Bimetal

WORKING RANGE

Maximum Scale Value



TD01 - 02

Standard Features

LOCATION OF STEM

Centre Back Connection, Direct

CASE

304SS

COVER

304SS

WINDOW

Glass

DIAL

White Aluminium with
Black Graduations

POINTER

Black Aluminium

STEM

6.4, 8.0mm and 10.0mm Diameter
304SS and 316SS
Max. Stem Length : 2000 mm

ZERO ADJUSTMENT

External at the Back of Case

STEM CONNECTION

1/2" PT or NPT



www.cstc.tw
台灣冠瑄: TEL: +886 7 7532980
Taiwan: E-Mail: TW@CSTC.TW

冠瑄科技有限公司

Creation Service Technology Co., Ltd.

上海可翔国际贸易有限公司

Shanghai Creation International Trading Co., Ltd.

上海可翔: TEL: +86 21 57558972
Shanghai: E-Mail: SH@CSTC.TW

ORDERING INFORMATION

BASE MODEL

T111 : INDUSTRIAL BIMETAL THERMOMETER

NOMINAL DIAMETER

- 3 : 75mm
- 4 : 100mm
- 5 : 125mm
- 6 : 150mm

TYPE OF MOUNTING

- X : Centre Back Connection, Direct

STEM MATERIAL

- 0 : 304SS
- 1 : 316SS

CONNECTION

- D : 3/8"
- E : 1/2"

CONNECTION TYPE

- C : PT
- D : NPT

STEM OUT DIA.

- 1 : 6.4mm
- 2 : 8.0mm
- 3 : 10.0mm

RANGE(Refer to Scale Range Table)

XXX

STEM LENGTH

(Refer to Stem Length Table)

X

ACCESSORIES

- 0 : None
- 1 : Thermowell

T110

4

X

0

E

C

1

XXX

X

1

SAMPLE MODEL NUMBER



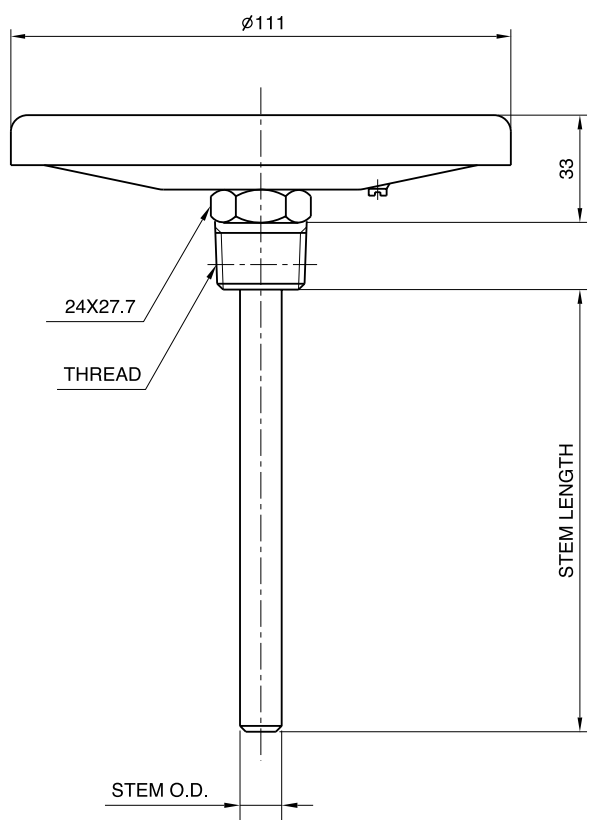
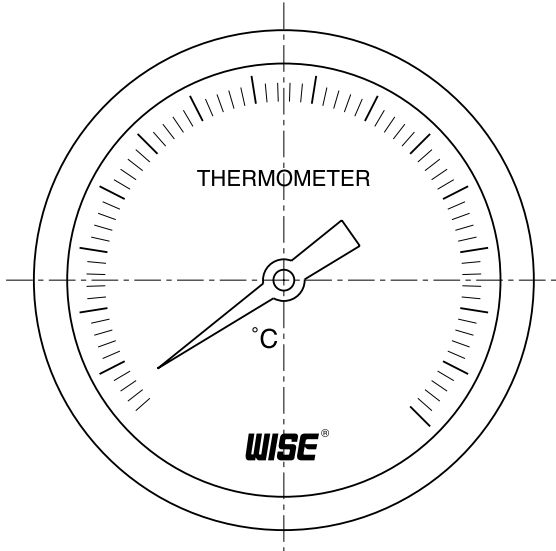
www.cstc.tw

Taiwan: E-Mail: TW@CSTC.TW

冠瑄科技有限公司
Creation Service Technology Co., Ltd.
上海可翔国际贸易有限公司

Shanghai Creation International Trading Co., Ltd.
上海可翔: TEL: +86 21 57558972
Shanghai: E-Mail: SH@CSTC.TW

T111 : TYPE OF MOUNTING



TD01 - 02



冠瑄科技有限公司

Creation Service Technology Co., Ltd.

上海可翔国际贸易有限公司

Shanghai Creation International Trading Co., Ltd.

www.cstc.tw

台湾冠瑄: TEL: +886 7 7532980

Taiwan: E-Mail: TW@CSTC.TW

上海可翔: TEL: +86 21 57558972

Shanghai: E-Mail: SH@CSTC.TW

SCALE RANGES

Code	Scale Range (°C)	Scale Spacing (°C)	Minimum Stem Length (mm)	
			6.4	8.0 and 10.0
032	-50~50	2	55	50
037	-50~100	5	45	35
054	-30~50	2	70	60
059	-30~100	5	50	45
061	-30~120	2	45	35
069	-20~50	2	80	70
074	-20~100	2	45	45
079	-20~150	5	40	35
084	-10~50	1	95	80
099	0~50	1	110	90
100	0~60	1	95	80
101	0~70	2	80	70
102	0~80	2	70	60
104	0~100	2	55	50
106	0~120	2	50	45
109	0~150	5	45	35
114	0~200	5	35	35
119	0~250	5	35	30
124	0~300	5	35	25
129	0~350	5	30	25
000	Special Range	Please Contact to Technical Dept.		

STEM LENGTH

Code	2	4	5	7	8	A	C	E	F	H	J	K	L	Z
Length (mm)	60	80	100	130	150	200	250	300	350	400	450	500	550	Longer Than 550mm



www.cstc.tw

台灣冠瑄: TEL: +886 7 7532980
Taiwan: E-Mail: TW@CSTC.TW

冠瑄科技有限公司

Creation Service Technology Co., Ltd.

上海可翔国际贸易有限公司

Shanghai Creation International Trading Co., Ltd.

上海可翔: TEL: +86 21 57558972
Shanghai: E-Mail: SH@CSTC.TW