

**REMOTE READING THERMOMETER  
WITH OIL FILLED  
MODEL : T219**



**SERVICE INTENDED**

Liquid Filled thermometer is used for measuring temperature of corrosive and non-corrosive fluid in all industries, operated in aggressive and non-aggressive environment. Linear dials and temperature compensate line assure an accurate temperature indication at varying ambient conditions.

**NOMINAL DIAMETER**

100mm

**ACCURACY**

±1.0% of Full Scale(0 up to 200°C)

±2.0% of Full Scale

**TEMPERATURE ELEMENT**

Liquid Filled

Organic Gas : -50°C to 600°C

**WORKING RANGE**

Maximum Scale Value



TD02 - 03

**Standard Features**

**LOCATION OF STEM AND MOUNTING**

Bottom Connection, Surface, Case Mounting  
Lower Back Connection, Flush, Case Centre Mounting Bracket

**STEM**

8.0, 10.0 and 12.0mm  
316SS

**CASE**

304SS

**WINDOW**

Glass

**FILLED FLUID IN CASE**

Glycerine

**COVER**

304SS

**DIAL**

White Aluminium with  
Black Graduations

**ZERO ADJUSTMENT**

By resetting the pointer after  
removing the cover

**CAPILLARY**

Capillary : 1.6/0.2mm, 316SS  
Armored Tube : 6.5/4.5mm, 304SS

**POINTER**

304SS, Black painted

**STEM CONNECTION**

3/8", 1/2", 3/4" PT or NPT



www.cstc.tw  
台灣冠瑄: TEL: +886 7 7532980  
Taiwan: E-Mail: TW@CSTC.TW

**冠瑄科技有限公司**

Creation Service Technology Co., Ltd.  
上海可翔国际贸易有限公司  
Shanghai Creation International Trading Co., Ltd.  
上海可翔: TEL: +86 21 57558972  
Shanghai: E-Mail: SH@CSTC.TW

# ORDERING INFORMATION

## BASE MODEL

**T219 : REMOTE READING THERMOMETER WITH OIL FILLED**

### NOMINAL DIAMETER

4 : 100mm

### TYPE OF MOUNTING

B : Bottom Connection, Surface, Case Mounting Plate  
M : Lower Back Connection, Flush, Case Centre Mounting Bracket

### STEM MATERIAL

1 : 316SS

### PROCESS CONNECTION

D : 3/8"  
 E : 1/2"  
E : 3/4"

### CONNECTION TYPE (CF : Compression Fitting)

C : PT  
 D : NPT  
 E : CF + PT  
E : CF + NPT

### STEM OUT DIA.

2 : 8.0mm  
 3 : 10.0mm  
4 : 12.0mm

### RANGE(Refer to Scale Range Table)

XXX

### CAPILLARY LENGTH

P : 2 metre  
 Q : 3 metre  
 S : 5 metre  
 V : 8 metre  
 X : 10 metre  
Z : Other

### ACCESSORIES

0 : None  
1 : Themowell

T219 4 B 1 E C 3 XXX P 1 **SAMPLE MODEL NUMBER**



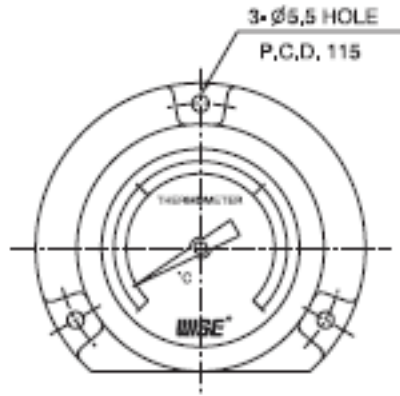
www.cstc.tw  
 台湾冠瑄: TEL: +886 7 7532980  
 Taiwan: E-Mail: TW@CSTC.TW

**冠瑄科技有限公司**

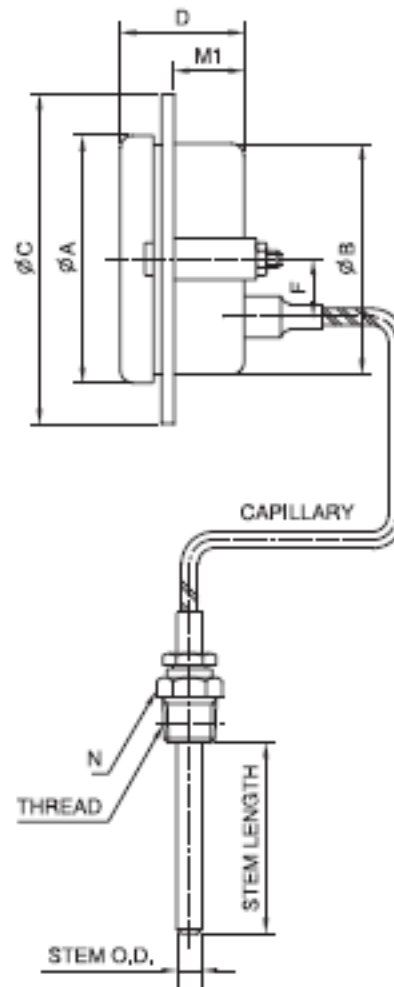
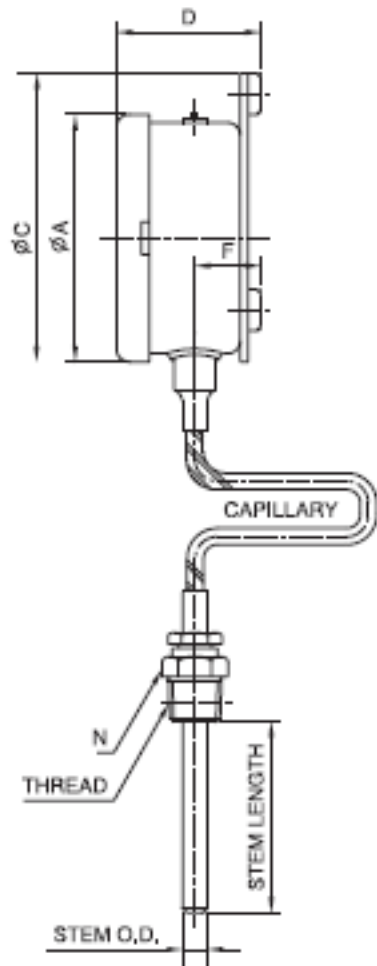
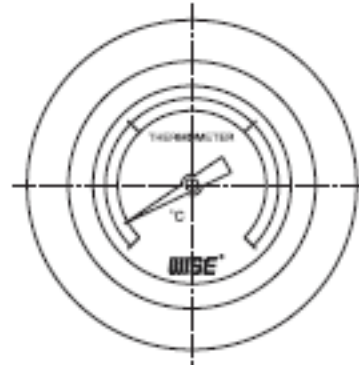
Creation Service Technology Co., Ltd.  
 上海可翔国际贸易有限公司  
 Shanghai Creation International Trading Co., Ltd.  
 上海可翔: TEL: +86 21 57558972  
 Shanghai: E-Mail: SH@CSTC.TW

# T219 : TYPE OF MOUNTING

CODE B



CODE M



Dimensions (mm)

DIAL SIZE	AVAILABLE CODE	A	B	C	D	F	M1	N
100	B	111		128	52.5	23		27x31.2 HEX
	M	111	99.5	128	50.5	25	28.5	27x31.2 HEX



## SCALE RANGES

Code	Scale Range (°C)	Scale Spacing (°C)	Minimum Stem Length (mm)			Standard Stem Length (mm)		
			8.0	10.0	12.0	8.0	10.0	12.0
032	-50~50	2	100	85	65	200	130	130
037	-50~100	5	100	88	65	200	130	130
054	-30~50	2	100	85	65	200	150	130
059	-30~100	2	100	85	65	200	130	130
061	-30~120	5	100	85	65	200	130	130
069	-20~50	2	100	85	65	200	130	130
074	-20~100	2	100	85	65	200	130	130
079	-20~150	5	100	85	65	200	130	130
084	-10~50	1	100	85	65	200	130	210
099	0~50	1	100	85	65	200	130	210
100	0~60	1	100	85	65	200	130	190
101	0~70	2	100	85	65	200	130	130
102	0~80	2	100	85	65	200	130	130
104	0~100	2	100	85	65	200	130	130
106	0~120	2	100	85	65	200	130	130
109	0~150	5	100	85	65	200	130	130
114	0~200	5	100	85	65	200	130	130
119	0~250	5	100	85	65	200	130	130
124	0~300	5	100	45	40	200	130	130
129	0~350	5	100	45	40	200	130	130
134	0~400	10	100	45	40	200	130	130
144	0~500	10	100	45	40	200	130	130
154	0~600	10	100	45	40	200	130	130
164	0~700	10	100	45	40	200	130	130



www.cstc.tw

台湾冠瑄: TEL: +886 7 7532980  
Taiwan: E-Mail: TW@CSTC.TW

冠瑄科技有限公司

Creation Service Technology Co., Ltd.

上海可翔国际贸易有限公司

Shanghai Creation International Trading Co., Ltd.

上海可翔: TEL: +86 21 57558972  
Shanghai: E-Mail: SH@CSTC.TW